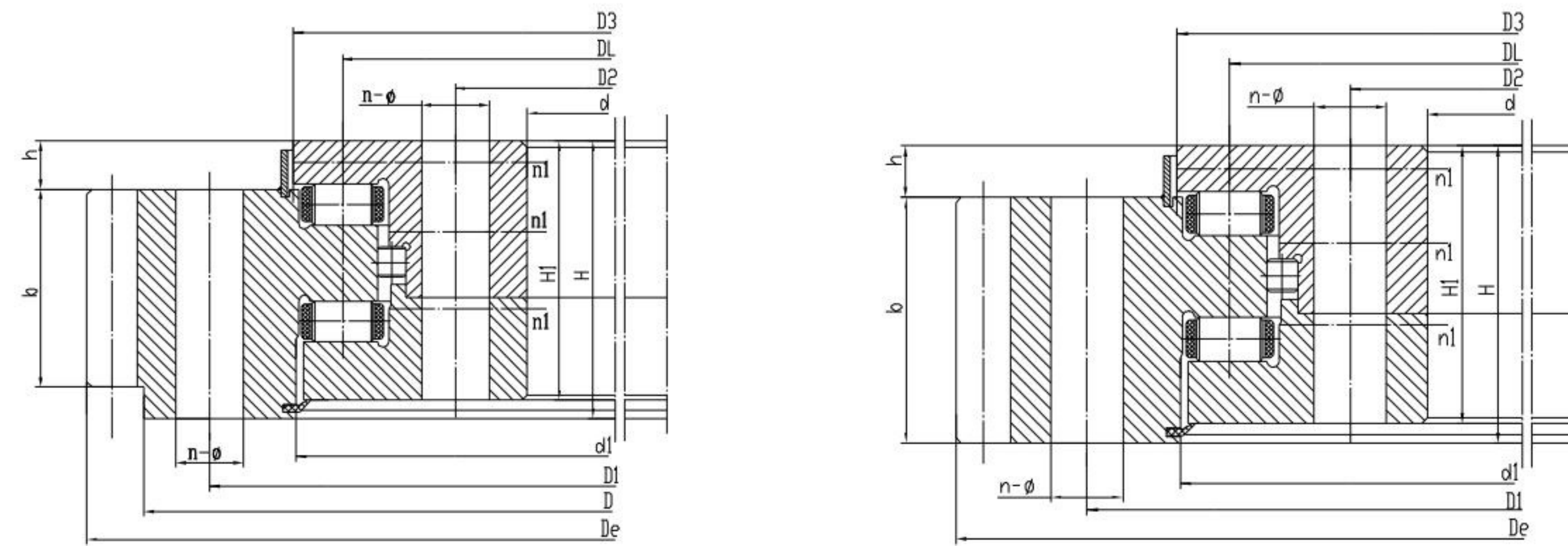


External-toothed Triple Row Cylindrical Roller Slewing Bearings

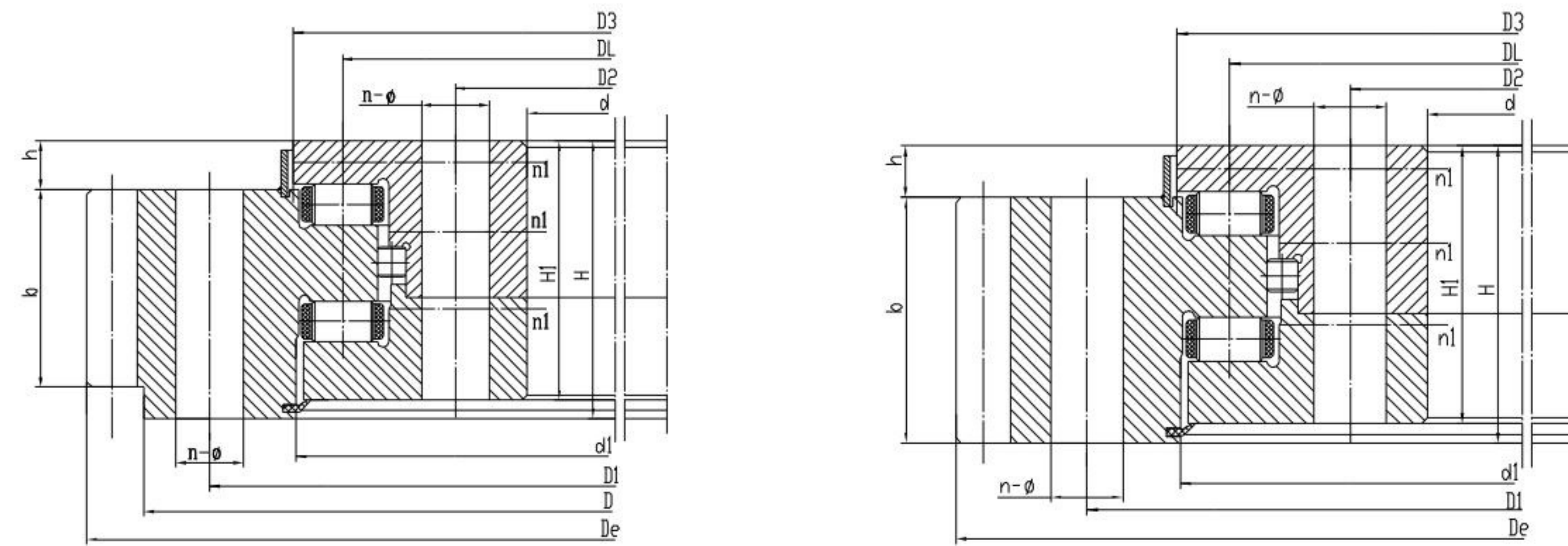


NOTE:

1. n1 is the number of lubricating oil holes, the customer can specify the location of oil holes according to the use situation.
2. n-φ can be changed into thread hole, thread diameter M, thread depth 2M.
3. The specifications in this sample are standard products, please contact SINOFOLIV for any other special requirements.

Bearing Part Number	Boundary Dimensions				Mounting Hole Dimensions					Configuration Dimensions						Gear Parameter				Weight kg
	De	D	d	H	D1	D2	n	φ		D3	d1	H1	h	n1	M	m	Z	b	x	
	mm				mm					mm										
HYW500	664	634	366	148	598	402	24	18		537	526	138	32	4	16	5	130	80	+0.5	200
HYW500M	664.8	634	366	148	598	402	24	18		537	526	138	32	4	16	6	108	80	+0.5	200
HYW560	724	694	426	148	658	462	24	18		597	586	138	32	4	16	5	142	80	+0.5	224
HYW560M	724.8	694	426	148	658	462	24	18		597	586	138	32	4	16	6	118	80	+0.5	224
HYW630	808.8	764	496	148	728	532	28	18		667	656	138	32	4	16	6	132	80	+0.5	262
HYW630M	806.4	764	496	148	728	532	28	18		667	656	138	32	4	16	8	98	80	+0.5	257
HYW710	886.8	844	567	148	808	612	28	18		747	736	138	32	4	16	6	145	80	+0.5	295
HYW710M	886.4	844	567	148	808	612	28	18		747	736	138	32	4	16	8	108	80	+0.5	291
HYW800	1006.4	964	636	182	920	680	36	22		841	830	172	40	4	20	8	123	120	+0.5	490
HYW800M	1008	964	636	182	920	680	36	22		841	830	172	40	4	20	10	98	120	+0.5	487
HYW900	1102.4	1064	736	182	1020	780	36	22		941	930	172	40	4	20	8	135	120	+0.5	549
HYW900M	1108	1064	736	182	1020	780	36	22		941	930	172	40	4	20	10	108	120	+0.5	562
HYW1000	1218	1164	836	182	1120	880	40	22		1041	1030	172	40	5	20	10	119	120	+0.5	631
HYW1000M	1221.6	1164	836	182	1120	880	40	22		1041	1030	172	40	5	20	12	99	120	+0.5	631
HYW1120	1338	1284	956	182	1240	1000	40	22		1161	1150	172	40	5	20	10	131	120	+0.5	710
HYW1120M	1341.6	1284	956	182	1240	1000	40	22		1161	1150	172	40	5	20	12	109	120	+0.5	710
HYW1250	1509.6	1445	1055	220	1393	1107	45	26		1300	1287	210	50	5	24	12	123	150	+0.5	1137
HYW1250M	1509.2	1445	1055	220	1393	1107	45	26		1300	1287	210	50	5	24	14	105	150	+0.5	1126
HSW1358	1510	1470	1215	90	1426	1255	24	22		1362	1354	71	19	6	20	10	149	71	0	256
HYW1400	1665.6	1595	1205	220	1543	1257	45	26		1450	1437	210	50	5	24	12	136	150	+0.5	1299
HYW1400M	1663.2	1595	1205	220	1543	1257	45	26		1450	1437	210	50	5	24	14	116	150	+0.5	1281
HYW1600	1873.2	1795	1405	220	1743	1457	48	26		1650	1637	210	50	6	24	14	131	150	+0.5	1501
HYW1600M	1868.8	1795	1405	220	1743	1457	48	26		1650	1637	210	50	6	24	16	114	150	+0.5	1471
HYW1800	2069.2	1995	1605	220	1943	1657	48	26		1850	1837	210	50	6	24	14	145	150	+0.5	1682
HYW1800M	2076.8	1995	1605	220	1943	1657	48	26		1850	1837	210	50	6	24	16	127	150	+0.5	1697
HYW1898	2169.6	2113	1690	181	2049	1762	54	36		1941	1930	172	32	6	34	12	178	100	+0.5	1470
HYW2000	2236.8		1853	132	2105	1905	54	26		2030	2032	123	26	5	24	16	137	106	+0.5	912

External-toothed Triple Row Cylindrical Roller Slewing Bearings

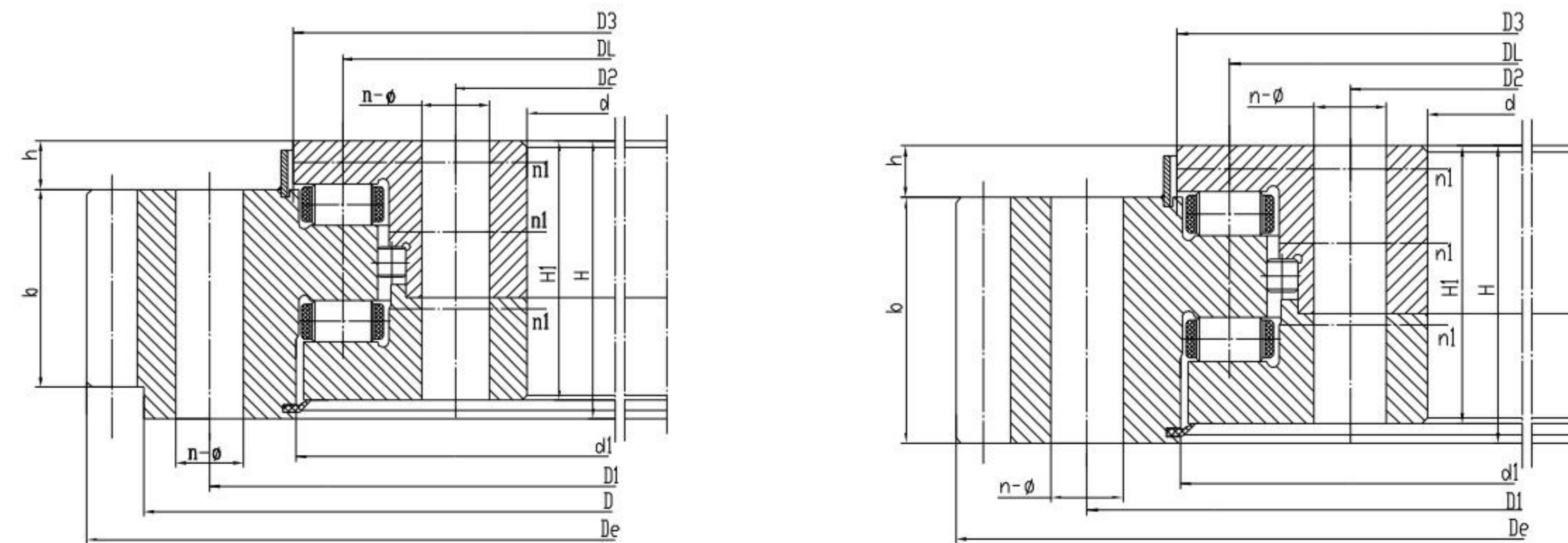


NOTE:

1. n1 is the number of lubricating oil holes, the customer can specify the location of oil holes according to the use situation.
2. n-φ can be changed into thread hole, thread diameter M, thread depth 2M.
3. The specifications in this sample are standard products, please contact SINOFOLIV for any other special requirements.

Bearing Part Number	Boundary Dimensions				Mounting Hole Dimensions				Configuration Dimensions						Gear Parameter				Weight kg
	De	D	d	H	D1	D2	n	φ	D3	d1	H1	h	n1	M	m	Z	b	x	
	mm				mm			mm	mm				mm	mm		mm			
HYW2000R	2268.8		1819	147	2125	1885	44	33	2036	2026	138	30	7	30	16	139	117	+0.5	1216
HYW2000R1	2300.8	2221	1779	231	2155	1845	60	33	2055	2033	219	54	6	30	16	141	160	+0.5	2147
HYW2000R1M	2300.4	2221	1779	231	2366	1845	60	33	2055	2033	219	54	6	30	18	125	160	+0.5	2129
HYW2240	2556.8	2461	2019	231	2395	2085	60	33	2298	2276	219	54	9	30	16	157	160	+0.5	2478
HYW2240R	2552.4		2022	181	2395	2100	40	39	2281	2270	172	42	8	36	18	139	139	+0.5	1975
HYW2240R1	2556.8	2461	2019	231	2395	2085	60	33	2295	2273	219	54	6	30	16	157	160	+0.5	2501
HYW2240R1M	2552.4	2461	2019	231	2625	2085	60	33	2295	2273	219	54	6	30	18	139	160	+0.5	2461
HYW2250	2481.6	2425	2071	155	2376	2137	72	33	2287	2276	146	28	6	30	12	204	127	+0.5	1240
HYW2250X1	2534	2492	2050	159	2394	2128	70	39	2291	2279	149	33	7	36	14	178	100	+0.5	1500
HYW2500	2822.4	2721	2279	231	2655	2345	72	33	2555	2533	219	54	8	30	18	154	177	+0.5	2410
HYW2500R	2822.4		2282	181	2655	2360	44	39	2541	2530	172	42	7	36	18	154	139	+0.5	2260
HYW2500R1	2822.4	2721	2279	231	2655	2345	72	33	2555	2533	219	54	8	30	18	154	160	+0.5	2786
HYW2500M	2816	2721	2279	231	2925	2345	72	33	2555	2533	219	54	8	30	20	138	160	+0.5	2731
HYW2555	2996	2905	2236	315	2802	2348	64	56	2643	2606	305	50	8	52	20	147	200	+0.5	5515
HYW2555X1	2998.7	2905	2236	270	2802	2348	80	45	2639	2596	260	50	8	42	20	147	180	+0.5	4758
HYW2800	3110.4	3021	2579	231	2955	2645	72	33	2855	2833	219	54	8	30	18	170	160	+0.5	2914
HYW2800R	3136		2582	181	2965	2660	48	39	2841	2830	172	42	8	36	20	154	139	+0.5	2576
HYW2800R1	3136		2562	220	2965	2640	48	39	2850	2837	210	50	8	36	20	154	170	+0.5	3267
HYW2800R2	3110.4	3021	2579	231	2955	2645	72	33	2855	2833	219	54	8	30	18	170	160	+0.5	3067
HYW2800M	3116	3021	2579	231	2955	2645	72	33	2855	2833	219	54	8	30	20	153	160	+0.5	3079
HYW2800X1	3148.8	3065	2546	223	2975	2636	60	45	2860	2839	210	53	10	42	16	194	140	+0.5	3400
HYW2825	3168		2575	240	3005	2655	48	36	2875	2865	210	50	8	30	18	174	190	0	3657
HYW2960	3375.2	3285	2632	320	3189	2738	72	56	3044	3012	311	65	9	54	20	166	200	+0.5	6280
HYW3150	3476		2932	181	3305	3010	56	39	3191	3180	172	42	7	36	20	171	139	+0.5	2828
HYW3150R	3515.6		2912	220	3315	2990	56	39	3200	3187	210	50	7	36	22	157	170	+0.5	3812
HYW3150R1	3536	3432	2868	270	3342	2958	72	45	3213	3916	258	65	8	42	20	174	180	+0.5	5025
HYW3150M	3537.6	3432	2868	270	3342	2958	72	45	3213	3916	258	65	8	42	22	158	180	+0.5	5009

External-toothed Triple Row Cylindrical Roller Slewing Bearings



NOTE:

1. n1 is the number of lubricating oil holes, the customer can specify the location of oil holes according to the use situation.
2. n-φ can be changed into thread hole, thread diameter M, thread depth 2M.
3. The specifications in this sample are standard products, please contact SINOFOUV for any other special requirements.

Bearing Part Number	Boundary Dimensions				Mounting Hole Dimensions					Configuration Dimensions						Gear Parameter				Weight kg
	De	D	d	H	D1	D2	n	φ		D3	d1	H1	h	n1	M	m	Z	b	x	
	mm				mm					mm										
HYW3550	3970	3820	3268	270	3742	3358	72	45		3613	3596	258	65	8	42	25	156	200	+0.5	5894
HYW3550R	3911.6		3312	220	3715	3390	66	39		3600	3587	210	50	8	36	22	175	170	+0.5	4255
HYW3550R1	3936	3832	3268	270	3742	3358	72	45		3613	3596	258	65	8	42	20	194	180	+0.5	5713
HYW3550M	3911.6	3811	3312	220	3715	3390	66	39		3600	3587	210	50	8	36	22	176	180	+0.5	5661
HYW3580	3931.2		3340	212	3735	3441	108	33		3642	3608	180	42	10	30	24	161	170	+0.5	3850
HYW3580K	3931.2		3340	212	3735	3441	120/108	33		3642	3608	180	42	10	30	24	161	170	+0.5	3840
HYW3580X1	3931.2		3340	211	3735	3441	108	39		3642	3608	180	41	10	30	24	161	170	+0.5	3860
HYW3586	3931.2		3340	222	3735	3441	144/120	33		3650	3619	210	52	10	30	24	161	170	+0.5	4686
HYW3590	3902.6		3370	192	3754	3448	96	39		3655	3619	180	44	12	36	16	240	148	+1.0	3460
HYW3698	4076	3982	3415	270	3892	3508	80	45		3766	3746	258	65	8	42	20	201	180	+0.5	5770
HYW3905	4266	4173	3650	222	4085	3740	90	45		3974	3943	210	50	8	42	20	210	172	+0.75	5475
HYW3905X1	4266	4173	3650	222	4085	3740	90	45		3974	3943	210	50	8	42	20	210	172	+0.7496	4780
HYW3925	4370		3663	280	4148	3748	80	45		3995	3972	270	58	10	42	25	172	220	+0.5	7150
HYW4000	4395.6	4282	3718	270	4192	3808	80	45		4062	4046	258	65	8	42	22	197	180	+0.5	6396
HYW4000R	4363.2		3762	220	4165	3840	72	39		4050	4037	210	50	9	36	24	179	170	+0.5	4805
HYW4000R1	4395.6	4282	3718	270	4192	3808	80	45		4063	4046	258	65	8	42	22	197	180	+0.5	6508
HYW4000M	4400	4282	3718	270	4192	3808	80	45		4062	4046	258	65	8	42	25	173	180	+0.5	6486
HYW4150	4527.6	4423	3870	240	4340	3960	80	45		4224	4175	230	55	8	42	22	203	180	+0.5	5910
HYW4170	4579.2		3905	265	4345	4000	144/120	39		4245	4236	252	75	8	36	24	188	190	+0.5	6292
HYW4500	4867.2		4262	220	4665	4340	84	39		4550	4537	210	50	14	36	24	200	170	+0.5	5410
HYW4500R	4880	4782	4218	270	4692	4308	80	45		4565	4553	258	60	16	42	20	242	185	+0.5	7240
HYW4500RX1	4901.6	4782	4218	270	4692	4308	80	45		4563	4553	258	60	16	42	22	220	180	+0.5	7440
HYW4500M	4895	4782	4218	270	4692	4308	80	45		4565	4553	258	65	16	42	25	193	185	+0.5	7239
HYW4630	5160	5060	4375	275	4820	4455	88	45		4710	4678	258	70	11	42	20	256	177	0	8640
HYW5137	5491.2		4914	261	5295	4980	72	33		5237.6	5178	210	50	12	30	24	226	211	+0.4	6430